

# Greenled I 2016

*Smart Choice for modern work spaces*



July 2016

**PHILIPS**

**Greenled (I) <sup>2016</sup> family come with  
Improved Efficacy and improved  
TCO**

Targeted to be sold to

Contractors

End-user doing direct Purchase

Small and Medium Enterprises

Cost Sensitive End-users



# GreenLED I LED Down Light Range

*Smart Choice for modern work spaces, Value for Money offering*



## Key Benefits

- Wide range of options for various applications ( 600 Lumens to 2000 Lumens )
- Compact and integral design for easy of design
- Long Maintenance free service life ( 30 K burning hrs. @ L70)

# Key Product Benefits

Useful life of 30 K hours , Multiple options to choose from



### Integrated driver control

GreenLEDi comes with a inbuilt driver control. It is designed for plug and play operation, hence there is no hassle of installing a separate driver which makes the downlighter easy to install.

### Efficient heat sink

Optimized design provides sufficient surface area for effective heat dissipation ensuring long service free life.

### Stainless steel clips

These clips provides robust yet easy mounting.

### Highly efficient diffuser

High quality optics ensures low glare lighting. Improving productivity in offices and retail spaces.

## Available color temperatures



# Phase In Phase Out- Specification Details

Parameter	GreenLED I	GreenLED I
Type Ref	DN191B LED6S, DN192B LED9S	DN191B LED6S, DN192B LED9S
	DN193B LED12S, DN194B LED15S, DN195B LED20S	DN193B LED12S, DN194B LED15S, DN195B LED20S
System Lumen	600/900/1200/1500/2000 Lumens	600/1000/1300/1600/2200 Lumens
System Wattage	10/15/18/24/32 Watts	7/10/13/15/18 Watts
Luminous Efficacy	≥ 60 Lm / Watt	> 85 Lm / Watt for 7 , ≥ 100LM/Watt for 10,13,15 & 18W
IP Rating	IP 20	IP 20
Frame Color	White	White
Rated Supply Voltage (Volts)	220-240 V	220-240 V
CRI	80	> 80



# Product Specification

	GreenLED i600 DN 191B	GreenLED I900 DN192B	GreenLED I1200 DN193B	GreenLED I 1500 DN194B	GreenLED I 2000 DN195
LED engine	DLED Micro	DLED Mini	DLED Compact	DLED Power	DLED Power
lumen package	600	1000	1300	1500	2000
CRI	>80	>80	>81	>81	>82
CCT	Warm white: 3000K	Warm white: 3000K	Warm white: 3000K	Warm white: 3000K	Warm white: 3000K
	Neutral white: 4000K	Neutral white: 4000K	Neutral white: 4000K	Neutral white: 4000K	Neutral white: 4000K
	Cool Daylight: 6500K	Cool Daylight: 6500K	Cool Daylight: 6500K	Cool Daylight: 6500K	Cool Daylight: 6500K
Power (4000K)	7w	10w	13w	15w	18
Voltage	220V-240V/50, 60Hz	220V-240V/50, 60Hz	220V-240V/50, 60Hz	220V-240V/50, 60Hz	220V-240V/50, 60Hz
driver	Constant current integrated driver (<10THD)				
optics	high quality diffuser	high quality diffuser	high quality diffuser	high quality diffuser	high quality diffuser
cut-out size	∅ 88 mm	∅ 135 mm	∅ 135 mm	∅ 172 mm	∅ 172 mm
Material	heat sink: die-cast	heat sink: die-cast	heat sink: die-cast	heat sink: die-cast	heat sink: die-cast
	reflector: PC	reflector: PC	reflector: PC	reflector: PC	reflector: PC
	clip: steel	clip: steel	clip: steel	clip: steel	clip: steel
Installation	Spring Clip	Spring Clip	Spring Clip	Spring Clip	Spring Clip

## 600 Lumens



Height (H) 75mm  
Cutout Dia (CD) 88mm

## 1000/1300 Lumens



Height (H) 85mm  
Cutout Dia (CD) 135mm

## 1600 / 2000 Lumens



Height 100mm  
Cutout Dia 172mm

# Applications



Retail



Office

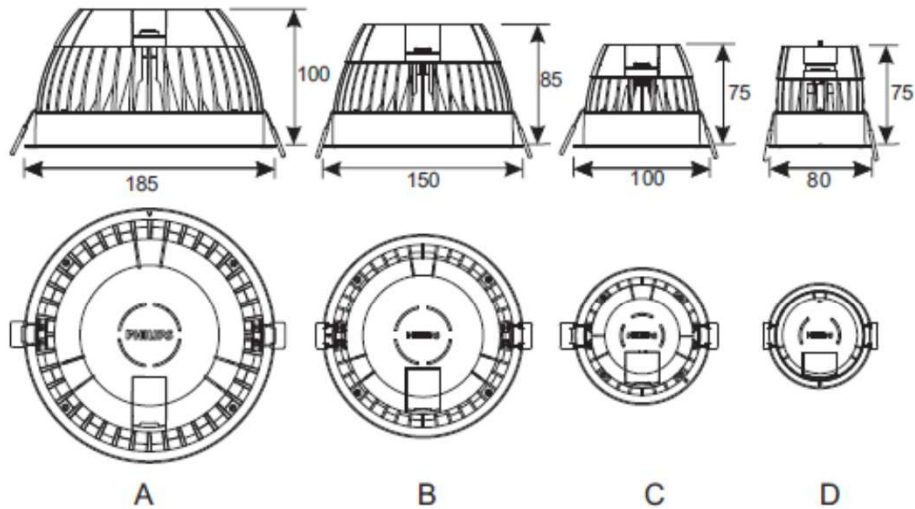




# Ordering Codes

Version	Prodcut Description	12 NC	spare Driver 12 NC
600 Lumen	DN191B LED6S-3000 PSU WH	919515810221	TBA
	DN191B LED6S-4000 PSU WH	919515810216	TBA
	DN191B LED6S-6500 PSU WH	919515810211	TBA
1000 Lumen	DN192B LED9S-3000 PSU WH S1	919515810378	441539003578
	DN192B LED9S-4000 PSU WH S1	919515810379	441539003578
	DN192B LED9S-6500 PSU WH S1	919515810380	441539003578
1200 Lumen	DN193B LED12S-3000 PSU WH S1	919515810381	441539003579
	DN193B LED12S-4000 PSU WH S1	919515810382	441539003579
	DN193B LED12S-6500 PSU WH S1	919515810383	441539003579
1600 Lumen	DN194B LED15S-3000 PSU WH S1	919515810384	441539003580
	DN194B LED15S-4000 PSU WH S1	919515810385	441539003580
	DN194B LED15S-6500 PSU WH S1	919515810386	441539003580
2000 Lumen	DN195B LED20S-3000 PSU WH S1	919515810387	441539003581
	DN195B LED20S-4000 PSU WH S1	919515810388	441539003581
	DN195B LED20S-6500 PSU WH S1	919515810389	441539003581

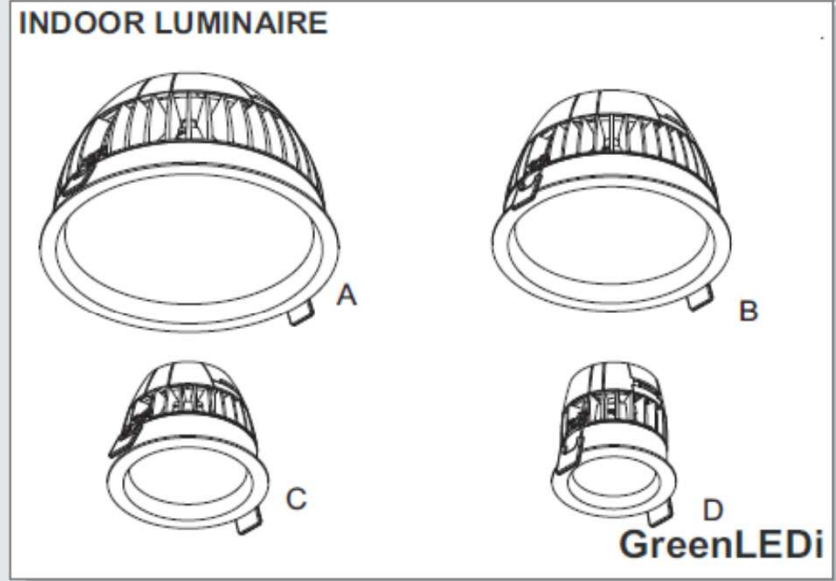
# Product Dimension & Mounting Instructions



CEILING CUTOUT: A = Dia. 175±1.0  
 B = Dia. 138±1.0  
 C = Dia. 90±1.0  
 D = Dia. 70±1.0

CEILING THICKNESS : 2.0 TO 15

All Dimensions are in mm

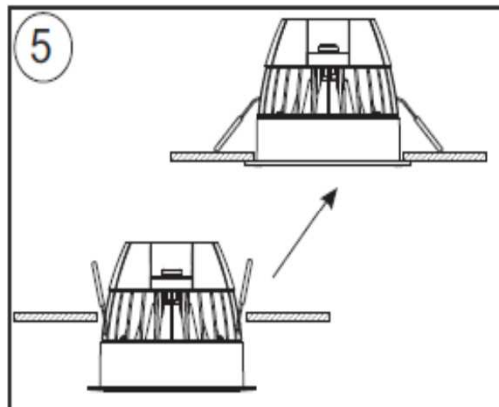
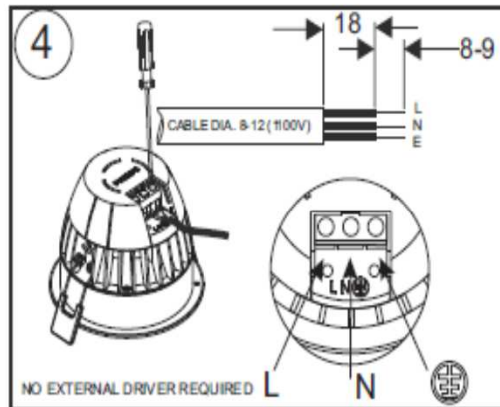
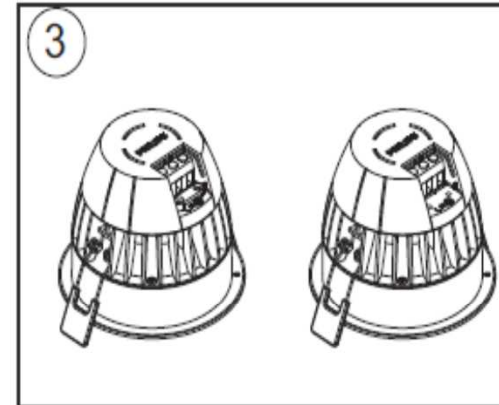
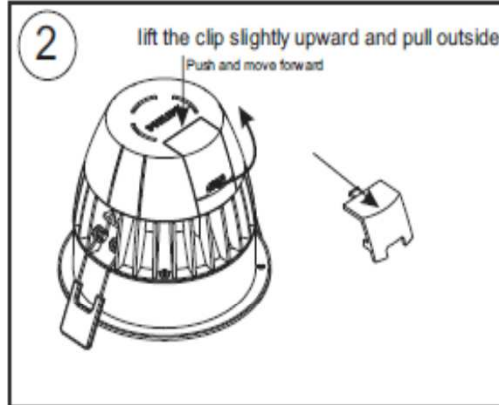
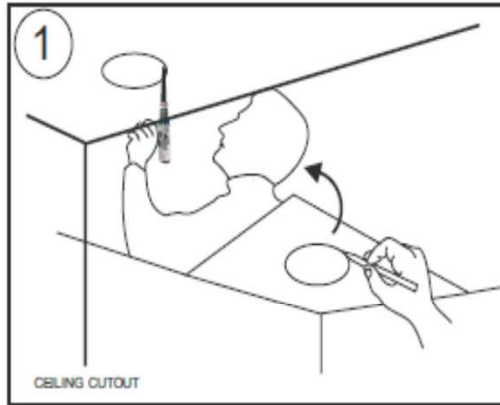


TYPE	DN190B / DN191B / DN192B DN193B / DN194B / DN195B
LAMP	1XLED
CCT	6500K / 4000K / 3000K
IP	20
VOLTAGE	240V ~ 50Hz
APPLICATION	INDOOR USE

4415 109 15970 - APRIL 2013

# Product Dimension & Mounting Instructions

## MOUNTING INSTRUCTION



**IMPORTANT NOTICE:**

1. Take out the luminaire from packing box
2. Cut the ceiling as specified dimensions and at a required spacing as shown in fig.1
3. Remove the Mains clip from the product as shown in fig. 2
4. Remove the wire clamp by unscrewing 2 screws fig 3
5. The Luminaire shall be installed by a qualified electrician and wired are in accordance with the latest by IEE regulations or the national requirements as shown in fig. 4
6. The luminaire spring to be push upward and insert through the ceiling cutout as shown in fig 5
7. Do not switch on the luminaire before complete installation

**IMPORTANT NOTE:**  
Input wires(LNE) have to be twisted properly and strands should not be loose

